

**Self-stabilises on
uneven restaurant
and cafe surfaces.**

**Award winning
design.**



**GOOD
DESIGN
AWARD®
GOLD WINNER**



**reddot award 2017
winner**

**Patented
technology.**

**Simple, robust
mechanical design.**

**Mastering
stabilising
technology for
over 25 years.**

**Instant
stabilisation**

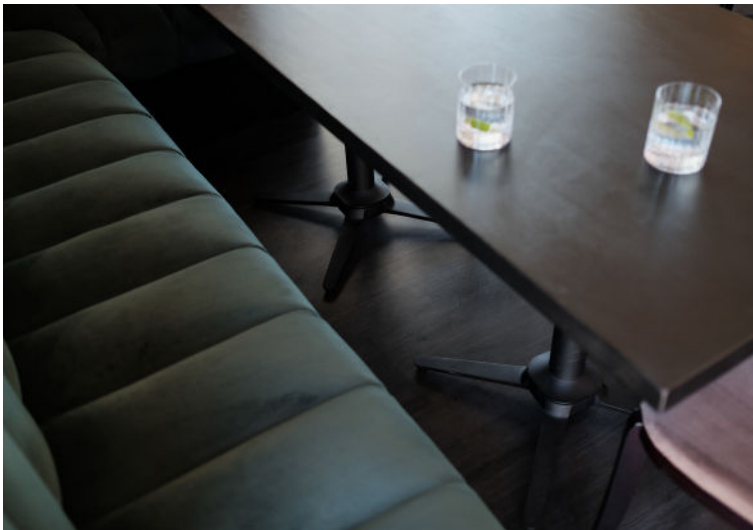
Esplanade



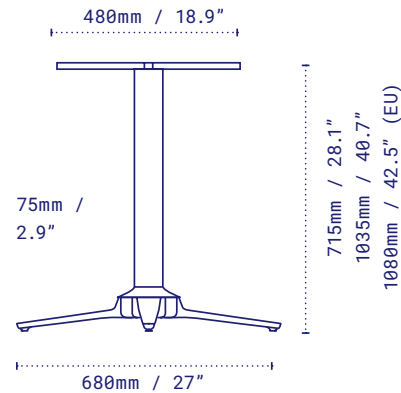
Classic and architectural, the NOROCK *Esplanade* self-stabilising table base exemplifies prestige. Elegant, established and confident, the *Esplanade* is suited to the sophisticated dining experience. With a special alodine coating offering great corrosion resistance and a high-quality powder coat, *Esplanade* is suitable for both indoor and outdoor applications.

DETAILS

Model	Esplanade
Part number	ESAL27
Material	Aluminium
Base diameter	680mm - 27"
Style	Dining height / Bar height
Height excl. table top	715mm / 28.1" Dining 1035mm / 40.7" Bar 1080mm / 42.5" Bar (EU only)
Column	75mm - 2.9"
Top plate	Fixed
Gross weight	6.0kg - 13.2lbs
Net weight	4.8kg - 10.5lbs
Carton measurement	600 x 600 x 100mm - 23.6 x 23.6 x 4"
Max recommended top size	860mm / 34" □ Dining 1010mm / 40" ○ Dining 760mm / 30" □ Bar 860mm / 34" ○ Bar



Amelia Park, Abbey, Australia



- Sandstone Black Part No: ESAL27BK/B*
- Metallic Silver Part No: ESAL27SI/B*
- White Part No: ESAL27WH/B*
- Rust Part No: ESAL27RU/B*
- Antique Bronze Part No: ESAL27AB/B*

* / B denotes bar height