



MyTrash RECLIPS

We stopped looking at trash as a problem and started seeing it as the resource it is. And we created chairs with lamellas made from Danish household plastic trash.

PRODUCT NO.
22302-XXXX-XX

DESIGNED BY
Henrik Pedersen
in 2020

PRODUCTION
Denmark / China

BASE
Powder coated aluminum

CATEGORY
Armchair with plastic
lamellas

ENVIRONMENT
Outdoor

ASSEMBLING
Armrest to be
mounted on chair

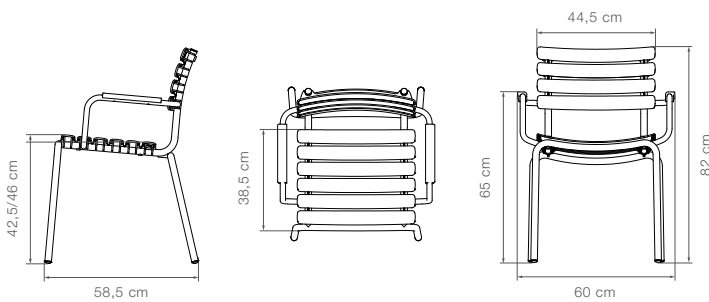
LAMELLAS
97% Danish household plastic trash
3% UV and color pigment

ARMRESTS
Bamboo or powder coated aluminum

STACKABLE
ReCLIPS dining chairs are stackable

CLEANING AND CARE
View online [here](#)

TEST AND CERTIFICATES
EN 581 Outdoor furniture – Seating and
tables for camping, domestic and contract use



DIMENSIONS
H: 82 cm
D: 58,5 cm
W: 60 cm

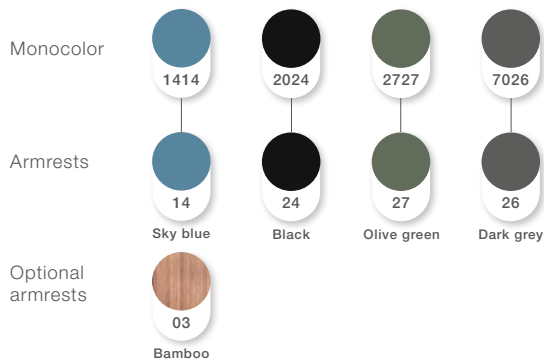
SEAT HEIGHT
42,5/46 cm
SEAT DEPTH
38,5 cm

WEIGHT
Gross: 16,8 kg
Net: 3,9 kg

ARMREST HEIGHT
65 cm
SEAT WIDTH
44,5 cm

WEIGHT LIMIT
120 kg

COLORS



**BOX
DIMENSIONS**
H: 99 cm
W: 62 cm
L: 66 cm

**PALLET
DIMENSIONS**
H: 228 cm
W: 62 cm
L: 126 cm

SHIPPING UNITS
3 pc/box
UNITS / PALLET
24

HOUE

RODELUNDVEJ 4A · 8680 RY · DENMARK · HOUE.COM



MyTrash **RECLIPS**

We stopped looking at trash as a problem and started seeing it as the resource it is. And we created chairs with lamellas made from Danish household plastic trash.

DESIGNER HENRIK PEDERSEN

Does design really matter? Perhaps not – but for me it's essential. It gives me a thrill to design forms and functions that are capable of moving people passionately and opening up new possibilities.

Passion for design is in my mind, soul and heart, wherever I go.

And my main inspiration is neo-scandinavian design, influenced by the vibes of London and the humor of Amsterdam, often with elements of fusion, resulting in materials and functions being combined in new and original ways, while always striving for a pure and simple look.

RECLIPS

ReCLIPS is a collection of chairs with wide plastic lamellas clipped on a powder coated aluminum frame.

The lamellas are made from Danish household plastic trash and produced in Denmark. The technology behind reusing plastic household trash for furniture production is developed in Denmark. With ReCLIPS you are basically looking at the result of mixing Danish design and Danish innovation and converting this new thinking and material into a chair.

ReCLIPS Dining, lounge chairs and footrest come in 4 mono colors: black, dark grey, olive green and sky blue – and with the choice of aluminum or bamboo armrests. The Bar stool is available in black. The aluminum frame combined with the UV protected plastic lamellas keep the maintenance to a minimum.

FROM TRASH TO TREASURE

Developing ReCLIPS, HOUE was determined that the right steps were taken in creating a responsible collection of chairs.

By using household plastic trash instead of virgin – or recycled industrial plastic, it is not only the recycling of plastic and the use of trash that is beneficial – there are also significant savings on the amount of energy used in production.

When creating products from household plastic trash, we worked from a systematic perspective, taking into account how things are always connected. Consequently, we base our decisions on facts and thorough documentation.

HOUE

RODELUNDVEJ 4A · 8680 RY · DENMARK · HOUE.COM