

Trail 27



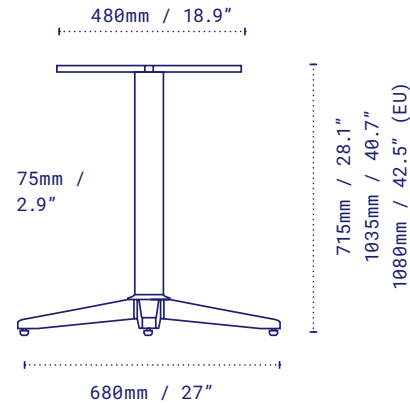
The NOROCK *Trail* self-stabilising table base exemplifies modern simplicity. The linear, clean design and concealed componentry complements a robust construction for use in any setting. With a special zinc coating, *Trail* is suitable for both indoor and outdoor applications.

DETAILS

Model	Trail
Part number	TRST27
Material	Zinc plated, powder coated steel
Base diameter	680mm - 27"
Style	Dining height / Bar height
Height excl. table top	715mm / 28.1" Dining 1035mm / 40.7" Bar 1080mm / 42.5" Bar (EU only)
Column	75mm - 2.9"
Top plate	Fixed
Gross weight	7.7kg - 16.9lbs
Net weight	6.2kg - 13.6lbs
Carton measurement	600 x 600 x 100mm - 23.6 x 23.6 x 4"
Max recommended top size	860mm / 34" <input type="checkbox"/> Dining 1010mm / 40" <input type="checkbox"/> Dining 760mm / 30" <input type="checkbox"/> Bar 860mm / 34" <input type="checkbox"/> Bar



Bistrot 916, Sydney, Australia



-  Sandstone Black Part No: TRST27BK/B*
-  Metallic Silver Part No: TRST27SI/B*
-  White Part No: TRST27WH/B*
-  Rust Part No: TRST27RU/B*
-  Antique Bronze Part No: TRST27AB/B*

* / B denotes bar height