

**Self-stabilises on  
uneven restaurant  
and cafe surfaces.**

**Award winning  
design.**



**GOOD  
DESIGN  
AWARD®  
GOLD WINNER**



**reddot award 2017  
winner**

**Patented  
technology.**

**Simple, robust  
mechanical design.**

**Mastering  
stabilising  
technology for  
over 25 years.**

**Instant  
stabilisation**

# Trail T-Base



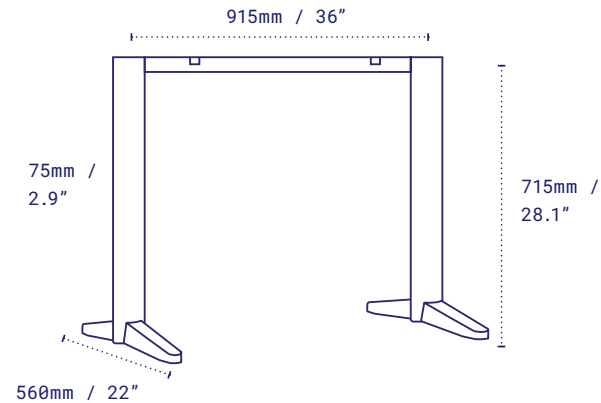
The *Trail T-Base* offers the NOROCK patented self-stabilising function for your larger, rectangular tabletops. This twin base perfectly matches with all *Trail* bases and complementing other NOROCK designs. The *Trail T-Base* is compliant with the Americans with Disabilities Act Standards for Accessible Design (ADA).

## DETAILS

<b>Model</b>	Trail T-Base
<b>Part number</b>	TTST22
<b>Material</b>	Powder coated steel
<b>Base diameter</b>	915mm x 500mm - 36" x 22"
<b>Style</b>	Dining height
<b>Height excl. table top</b>	715mm - 28.1" Dining
<b>Column</b>	75mm - 2.9"
<b>Top plate</b>	Fixed
<b>Gross weight</b>	19.5kg - 42.9lbs
<b>Net weight</b>	17.6kg - 38.8lbs
<b>Carton measurement</b>	930 x 730 x 110mm - 36.6 x 28.7 x 4.3"
<b>Max recommended top size</b>	800 x 1550mm - 32 x 62" <input type="checkbox"/> Dining



Wooden Paedie, Illinois, United States of America



-  Sandstone Black Part No: TTST22BK
-  Metallic Silver Part No: TTST22SI
-  White Part No: TTST22WH
-  Rust Part No: TTST22RU
-  Antique Bronze Part No: TTST22AB